



**International Shooting Sport Federation
Internationaler Schiess-Sportverband e.V.
Fédération Internationale de Tir Sportif
Federación Internacional de Tiro Deportivo**

Errata for ISSF Rules and Regulations

Edition 2009 (First printing, 11/2008)

Dated: 01.01.2010

ARTICLE 3.12.3.9 ANNEX “J”



International Shooting Sport Federation
Internationaler Schiess-Sportverband e.V.
Fédération Internationale de Tir Sportif
Federación Internacional de Tiro Deportivo
 ISSF • Bavariaring 21 • D-80336 München • Germany
 Phone: +49-89-5443550 • e-mail: munich@issf-sports.org
 Fax: +49-89-54435544 • internet: <http://www.issf-sports.org>

Application for Judge's License Renewal

The Federation of	Name of national federation	endorses the application of:
-------------------	-----------------------------	------------------------------

Family Name(s)	Given Name(s)
----------------	---------------

Date of Birth:	Day	Month	Year
-------------------	-----	-------	------

to have the license renewed:					
License Number:		Class:	A	B	
Disciplines:					
Rifle <input type="checkbox"/>	Pistol <input type="checkbox"/>	Shotgun <input type="checkbox"/>	Running Target <input type="checkbox"/>	Paper Target Control <input type="checkbox"/>	Electronic Target Control <input type="checkbox"/>

<p>The ISSF Member Federation confirms that the applicant has obtained experiences as a jury member in international, regional or national level competitions during the last four year period.</p> <p>The applicant has good knowledge of the current ISSF Rules and Regulations.</p> <p>This is to certify that the information given is correct and the photograph(s) are of the applicant.</p>

Signed for the Federation:		Please enclose two recent photos by 3 x 2 cm or send a digital photo to the ISSF Headquarters
Name typed or printed:		
Fee enclosed: Euro 15.00 <input type="checkbox"/>		
Two Photographs enclosed <input type="checkbox"/>	Digital Photo sent to ISSF Headquarters <input type="checkbox"/>	

ARTICLE 3.12.3.9.1 ANNEX “S”

- 5.1** Only courses that have been approved and recognized by the ISSF will be considered as official training courses for shotgun referees. Applications for recognition must be submitted to the ISSF Headquarters as soon as **possible before** the date of the intended course. The application must include:

ISSF Eligibility Rules

- 4.4.2.2 On the front / rear sight blinders no manufacturer or sponsor identification is permitted.

Table 1: Special Rules for Sponsor Markings: page 121 of Rule Book

Front / Rear Sight Blinders	No sponsor marking	
-----------------------------	--------------------	--

ISSF Anti-Doping Regulations

5.5.3.1 Therapeutic Use Exemptions

Shooters with a documented medical condition requiring the use of a Prohibited Substance or a Prohibited Method must be in possession of a Therapeutic Use Exemption ("TUE"). The Prohibited List also identifies certain substances and methods that are not prohibited but for which a Shooter is required to file a Declaration of Use. It is recommended that, via ADAMS, Shooters apply for their TUE and/or file their Declaration of Use at the same time as they submit their whereabouts information. The TUE application process and granting or denial process will at all times be governed by the applicable provisions of the International Standard for Therapeutic Use Exemptions. All Shooters participating in ISSF events, whether they are included in the ISSF Registered Testing Pool or not, should apply for their TUE no later than thirty (30) days before the Shooter's participation at an Event. However, when applicable, Shooters may apply for a retroactive TUE in accordance with the applicable provisions of the International Standard for Therapeutic Use Exemptions.

- 5.6.4.3.1 After receipt of two (2) formal written warnings from ISSF or an ISSF Member Federation, any Shooter in the ISSF Registered Testing Pool who fails to submit timely whereabouts report when required to do so, in the preceding eighteen (18) months will be considered to have committed an anti-doping rule violation pursuant to Article 5.3.4.

5.8.1.4

When:

- a) Emergency treatment or treatment of an acute medical condition was necessary; or
- b) Due to exceptional circumstances, there was insufficient time or opportunity for an applicant to submit, or a TUE Committee to consider, an application prior to doping control.

Then, before the Adverse Analytical Finding is referred to the ISSF Anti-Doping Committee, the Shooter shall be given an opportunity to apply to the TUE Committee for a Retroactive TUE in accordance with the International Standard for Therapeutic Use Exemptions. The result of that application shall be forwarded to the ISSF and the ISSF Anti-Doping Committee for consideration in its review of the Adverse Analytical Finding.

Former Articles 5.9 to 5.9.5.1 will be replaced as follows:

5.9 HEARINGS

5.9.1 Hearings Arising from ISSF Testing or Tests at ISSF Events

5.9.1.1 When it appears following the results management process described in article 5.8 that these Anti-Doping Rules have been violated in connection with ISSF Testing at an ISSF Event, then the case shall be assigned to the Commission of Inquiry appointed by the ISSF Executive Committee for a hearing.

5.9.1.2 The anti-doping Commission of Inquiry shall be independent and impartial.

5.9.1.3 None of the members of the Commission of Inquiry may be from the same country as the Shooter or other Person concerned.

5.9.2 For the purpose of determining the nature, the circumstances and the seriousness of the doping offence, the Commission of Inquiry must provide the Shooter or other Person an opportunity to submit his/her point of view either:

5.9.2.1 orally, or

5.9.2.2 by documentary evidence.

5.9.3 The Shooter or other Person has a right to be heard and to representation at his/her costs.

5.9.3.1 he/she may produce any evidence which may assist his/her defense, including expert testimony and statements; and if appropriate may be accompanied by an interpreter.

5.9.4 At the conclusion of the hearing the Commission of Inquiry must be satisfied that:

5.9.4.1 There were no departures from the International Standard for Testing or the International Standard for Laboratories which could have caused or resulted in the Anti-Doping Rule Violation.

5.9.4.2 It is sufficiently well informed about all the circumstances of the case in order to be able to render a reasoned and written decision.

5.9.5 The anti-doping Commission of Inquiry will render a written, reasoned and timely decision on behalf of the Executive Committee.

5.9.5.1 The Commission of Inquiry's decision must be communicated to the Shooter or other Person, the relevant Member Federation and WADA.

5.9.6 A Shooter or other Person may forego a hearing by acknowledging the Anti-Doping Rule Violation and accepting the consequences of Articles 5.10 and 5.11 as will be decided by the anti-doping ISSF Commission of Inquiry on behalf of the Executive Committee. The right to a hearing may be waived either expressly or by the Shooter or other Person's failure to challenge within ten (10) days the ISSF's assertion that an Anti-Doping Rule Violation has occurred.

5.9.6.1 In accordance with article 5.9.5 where no hearing occurs. The ISSF Commission of Inquiry shall render a written and reasoned decision explaining the action taken and communicate this decision to the Shooter or other Person, the relevant Member Federation and WADA.

5.9.6.2 The ISSF shall keep WADA fully apprised as to the status of pending cases and the results of all hearings.

Renumber former 5.9.6, 5.9.6.1, 5.9.6.2, 5.9.6.3, 5.9.6.4 and 5.9.6.5 to 5.9.7, 5.9.7.1, 5.9.7.2, 5.9.7.3, 5.9.7.4 and 5.9.7.5

5.10. AUTOMATIC DISQUALIFICATION OF INDIVIDUAL RESULTS

5.10.1 An anti-doping rule violation occurring during or in connection with an Event may lead to Disqualification of all of the Shooter's individual results obtained in that Event with all consequences, including forfeiture of all medals, points and prizes, except as provided in Article 5.10.2

5.10.2. If the Shooter establishes that he/she bears No Fault or Negligence for the violation, the Shooter's individual results in the other Competitions must not be disqualified unless the Shooter's results in Competitions other than the Competition in which the Anti-Doping Rule Violation occurred were likely to have been affected by the Shooter's Anti-Doping Rule Violation.

Delete and replace: old 5.11.1, 5.11.1.1, 5.11.1.2 and 5.11.1.3 with 5.11, 5.11.1 and 5.11.2 only

5.11 SANCTIONS ON INDIVIDUALS

5.11.1 Imposition of Ineligibility for Prohibited Substances and Prohibited Methods.

5.11.2 The period of Ineligibility imposed for a violation of Article 5.3.1 (Presence of Prohibited Substance or its Metabolites or Markers), Article 5.3.2 (Use or Attempted Use of Prohibited Substance or Prohibited Method) and Article 5.3.6 (Possession of Prohibited Substances and Methods) shall be as follows, unless the conditions for eliminating or reducing the period of ineligibility, as provided in Articles 5.11.4 and 5.11.5, or the conditions for increasing the period of ineligibility, as provided in Article 5.11.6, are met:

5.11.2.1 First violation: Two (2) years;

5.11.8.1 During such remaining period of Ineligibility, a minimum of two (2) tests must be conducted on the Shooter with at least three (3) months between each test. The Member Federation shall be responsible for conducting the necessary tests, but tests by any Anti-Doping Organization may be used to satisfy the requirement. **The results of such tests must be reported to the ISSF.** Once the period of a Shooter's Ineligibility has expired and the Shooter has fulfilled the conditions of reinstatement, then the Athlete will become automatically re-eligible and no application by the Shooter or by the Shooter's Member Federation will then be necessary.

- 5.21.3** The first ISSF Anti-Doping Rules were approved by the ordinary General Assembly of the UIT (ISSF) on October 30, 1982 in Caracas, Venezuela and were modified by decisions of the Administrative Council on April 22, 1996 in Atlanta, USA, on March 21, 2000 in Sydney, Australia, on April 29, 2001 in Cairo, Egypt, by unanimous postal vote on June 17, 2001 in Munich, Germany, by postal vote on November 7th, 2003 and will be effective from January 1, 2004, by postal vote on January 25, 2007 and by postal vote on December 19, 2009.
- 5.22.8** In case of a conflict between the Code and the ISSF Anti-Doping Rules, the Code shall prevail. Any amendments made by WADA to the Code or its International Standards shall also automatically have authority and be applicable to the ISSF Anti-Doping Rules.

Technical Rules for all Shooting Disciplines

6.1.4 Knowledge of the Rules

All shooters, team leaders and officials must be familiar with the ISSF Rules and must ensure that these Rules are enforced. It is the responsibility of each shooter to comply with the Rules.

6.1.5.2.1 For Shotgun: Chief of Referee and Referees

When on duty they are required to wear the "ISSF Shotgun Referee (blue) vest" which must be purchased from the ISSF Headquarters (note: as of WCH 2010).

Renumber old 6.1.4 to 6.1.4.1 and old 6.1.4.1 to 6.1.4.2 and delete 6.10.2.1

6.3.3 Paper Sighting Targets

Sighting targets must be marked clearly with a black diagonal stripe in the upper right hand corner of the target. The stripe must be clearly visible to the naked eye at the appropriate distance under normal light conditions (except for the 25 m Rapid Fire Pistol Target and the 50 m Running Target).

6.3.4.1 Backing Targets for 50 m and 300 m ranges

6.3.4.4 Backing Cards – Electronic Scoring Targets 10 m/ 50 m/ 300m

A Backing Card must be affixed to the rear of the target which must be renewed and collected for each relay and in 50 m and 300 m Rifle 3 Positions Men for each position unless a Control Sheet is used. (except at 10 m when a black paper strip is used).

6.3.8.4 The firing line must be clearly marked. The range distance must be measured from the target line to the edge of the firing line nearest to the shooter. The use of a board as a firing line is not permitted. The competitor's foot or, in the prone position the competitor's elbow may not be placed on or in front of the firing line.

6.3.15.1.1 The nearest edge of the bench or stand must be placed 10 cm forward of the 10 m Firing line.

- 6.3.16.10.3** 25 m Pistol and 25 m Center Fire Pistol Rapid Fire Stage:
facing for three (3) seconds for each shot, alternating with an edge-on face away time of seven (7) seconds (± 0.1 second);
- 6.3.19.4** The traps must be released by an electric-manual or electric-microphone system. The control system must be placed in such a position that the puller can clearly see and hear the call of the shooter. The release devices must guarantee equal distribution of targets to each shooter in a series of 25 targets. This distribution must be: 10 targets to the right, 10 targets to the left and 5 targets to the center. With the correct distribution, in a series of 25 targets, each group of traps must throw two targets from the left trap, two from the right trap and one from the center trap as the shooters progress from station 1 to 5. After every five (5) targets the selector index must be advanced one **step**.
- 6.3.22.3.3** Targets properly released must pass through a circle 0.9 m – 0.95 m in diameter, located 4.60 m +/-0.05 m above the **center point**.
- 6.5.4.9.1** The second 30 shot stage must begin only after all shooters have completed the first 30 shot stage. If there are fewer shooters than are necessary to completely **fill all relays then** gaps must be left in the last relay of the first **stage and in the last relay of the second stage when the event is held over two (2) days**.
- 6.6.2.3** The Juries must supervise the examination of the guns, equipment, and accessories **(in the Equipment Control Section)**, and continuously observe the shooting positions **and the equipment** of the shooters.
- 6.8.15** All irregularities, penalties, misses, malfunctions, extra time allowed, repeated shots / **series** or annulment of shots, etc., must be clearly marked and recorded on a Range Incident Report Form IR (see form at the end of these Rules), the Range Register, printer strip, on the target and on the score card (paper target) by a Range Officer and/or Jury Member for the attention of the Classification Office.
- 6.10.6.3.1** In the case of a disqualification in the Finals the shooter will be ranked on the last place of the participating finalists, but may retain his Qualification score **including any shoot-off before the Finals**.
- 6.11.5.2** If a shooter is interrupted **for more than five (5) minutes, or moved to another firing point**, he may have additional unlimited sighting shots at one sighting target at the beginning of his remaining shooting time together with any time extension granted plus an additional five (5) minutes. If automatic paper target systems which have no possibility for providing a new sighting target are in use, the sighting shots should be fired on the next unused competition target. **The remaining** competition shots should be fired at the next competition target according to the instructions given by the Range officials or Jury Members. Range officials or Jury Members must ensure that a complete explanation is recorded **on the Range Incident Report and if applicable on the Register Keeper's score card**.

6.13 FAILURE OF ELECTRONIC SCORING TARGET SYSTEMS – 10 m, 50 m AND 300 m

6.13.3 Procedure of the failure of a SINGLE target in 10 m, 50 m and 300 m Events

6.13.3.1 If the Electronic Scoring Target cannot be repaired within five (5) minutes, the shooter will be moved to a reserve position and when he is ready to shoot an **additional five (5) minutes** will be added to the competition time remaining. He will be permitted unlimited sighting shots **before he starts the remaining competition shots.**

6.14.6.2 Shooters with tied scores will **have their start positions starting from the left according the ranking using the inner tens.**

6.14.6.4 **In the 10 m and 50 m Events** a Preparation and Sighting period of five (5) minutes **will be given** followed by five (5) shots (decimal scoring) on command in the relevant Finals shooting position in 75 seconds (prone 45 seconds) per shot. If there is still a tie, it will be decided shot by shot until every tie is broken.

6.14.6.5 Rules for Shoot-offs in all 25 m events (full ring scoring)

Shooters tied will be allocated new firing points on the Qualification range by drawing of lots by the Jury. If more shooters are tied than target groups are available, the firing sequence will also be determined by drawing of lots.

6.15.4.2.1 If a shooter **contests the value of a shot**, a protest will only be accepted when made before the next shot / series in 25 m events (except for failure of the paper or rubber band to advance **or other target failures**) or if it is the last shot, within three (3) minutes.

6.15.4.2.3 If the protest concerning a shot value, other than zero or failure to register, is not upheld, a two (2) point penalty **from the score of the disputed shot** will be awarded and the protest fee must be paid.

6.16.4.3.5 The discharge of gas in air guns is not permitted, two (2) points will be deducted **from the first Finals shot.**

6.16.4.5.3.6 Aiming exercises **are allowed.**

6.16.4.5.3.7 Dry Firing after the sighting period is prohibited and will be penalized by deduction of two (2) points for each case from the first Finals shot.

6.16.5 25 m Pistol Events

The Control sheets / cards and backing targets are not to be changed or patched between series / relays.

Event	Men / Women	Shooting Time / Series
25 m Pistol	Women	Four (4) series of Rapid Fire Stage
25 m Rapid Fire Pistol	Men	Four (4) series of four (4) seconds

6.16.6.5.4 For **tied scores** all tied shooters will be ranked according to the TIE-BREAKING Rules. **If it is still a tie the better or best Finals result will be used to break the tie.**

Page 268 – 25 m Rapid Fire Pistol Men Malfunction Score Computation Form “A” please exchange the following:

For ALLOWABLE malfunction insert “AM”, for NON-ALLOWABLE insert “NAM 0”, for UNFIRED SHOTS insert “0” – only for misses, or for shots not fired on each single target in both series:

Page 271 – 25 m Standard Pistol Men Malfunction Score Computation Form “D” please exchange the following:

For ALLOWABLE malfunction insert “AM”, for NON-ALLOWABLE insert “NAM 0”, for UNFIRED SHOTS insert “0” – only for misses, or for shots not fired (by shot number) on the target in both series:

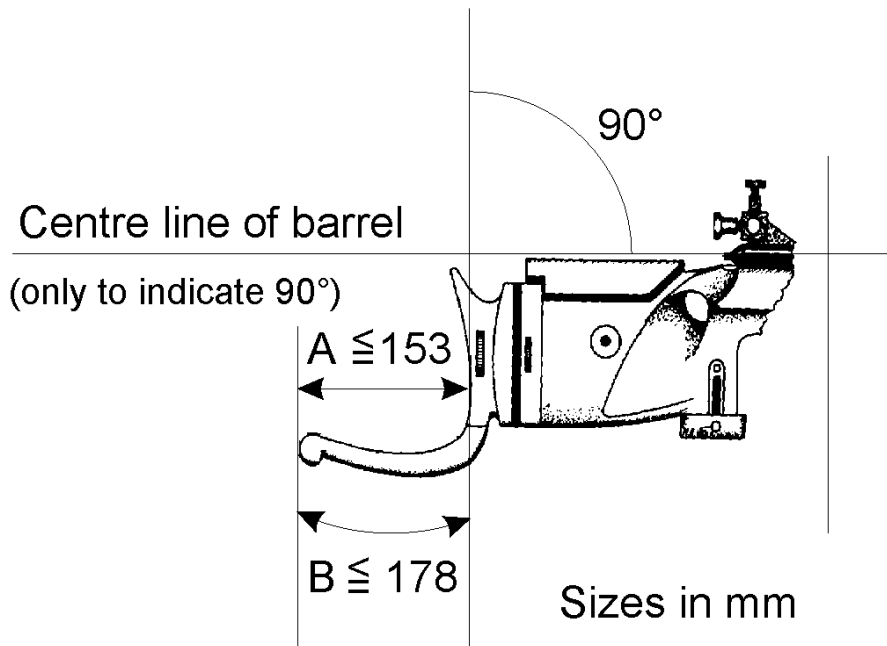
6.20 Index

25 m Events – Scoring Procedures – supervision of the Jury	6.9.1.2
Aiming area – only one (1) aiming area	6.3.1.5
Bib (Start) Numbers	6.4.10
Cross-fires – Sighting shot on a competition target of another shooter	6.11.8.1.1
Cross-fires – Sighting shot on a sighting target of another shooter	6.11.8.2
Dimensions of scoring rings (outside diameter)	6.3.1.4
Electronic Scoring Targets (EST)	6.3.1.7
Finals – Failure of all Finals targets	6.16.6.5.1
Finals – Protests in Finals	6.16.7
Finals – Protests in Finals – Decisions	6.16.7.2
Horizontal variations for Firing Points	6.3.11
Horizontal variations for Target Centers	6.3.10
Indoor range – light measurements	6.3.17.4
Indoor range – light requirements (Lux)	6.3.17
Inner Tens Marking – Air Pistol	6.3.2.8.4.2
Inner Tens Marking – Air Rifle	6.3.2.8.4.1
Knowledge of the Rules	6.1.4
Left-handed	6.1.4.1
Light measurement on indoor ranges	6.3.17.4
Main scoreboard	6.8.1.1
Men’s events	6.1.4.2
Paper targets – Handling of targets	6.11.1
Right-handed	6.1.4.1
Scoring zones – scoring rings	6.3.1.6
Shot(s) before the command START	6.11.2.2.2
Women’s events	6.1.4.2
World Records: setting – equalling – breaking	6.17.1

Rifle Rules

7.4.3.2

Text remains the same but replace old drawing with drawing below



7.4.7.6

No Velcro, sticky substance, liquid, or spray may be applied to the outside or inside of the jacket, pads or shoes and/or floor or equipment. Roughening the material of the jacket is permitted. Violations will be penalized according to the Rules.

7.4.7.8.1

The trousers, including the lining, must not exceed 2.5 mm in single thickness and 5 mm in double thickness at any point where flat surfaces may be measured. The top of the trousers must not fit or be worn higher on the body than 50 mm above the crest of the hipbone. All drawstrings, zippers or fasteners to tighten the trousers around the legs or hips are prohibited. To support the trousers only a normal waist belt not more than 40 mm wide and 3 mm thick or braces (suspenders) may be worn. If a belt is worn in the standing position, the buckle or fastening must not be used to support the left arm or elbow. The belt must not be doubled, tripled etc. under the left arm or elbow. If the trousers have a waist band, it may not be more than 70 mm wide. If the thickness of the waistband exceeds 2.5 mm, a waist belt is not permitted. If a waist belt is not worn, the absolute maximum thickness of the waistband is 3.5 mm. Each belt loop (keeper) must not exceed 20 mm width. The trousers may be closed by one hook and up to five (5) eyes, or up to five (5) adjustable snap fasteners, or similar closure or Velcro which must not be multilayered. Only one type of closure is permitted. A Velcro closure combined with any other closure is prohibited. The trousers must be loose around the legs. If special shooting trousers are not worn, ordinary trousers may be worn providing they do not give artificial support to any part of the body.

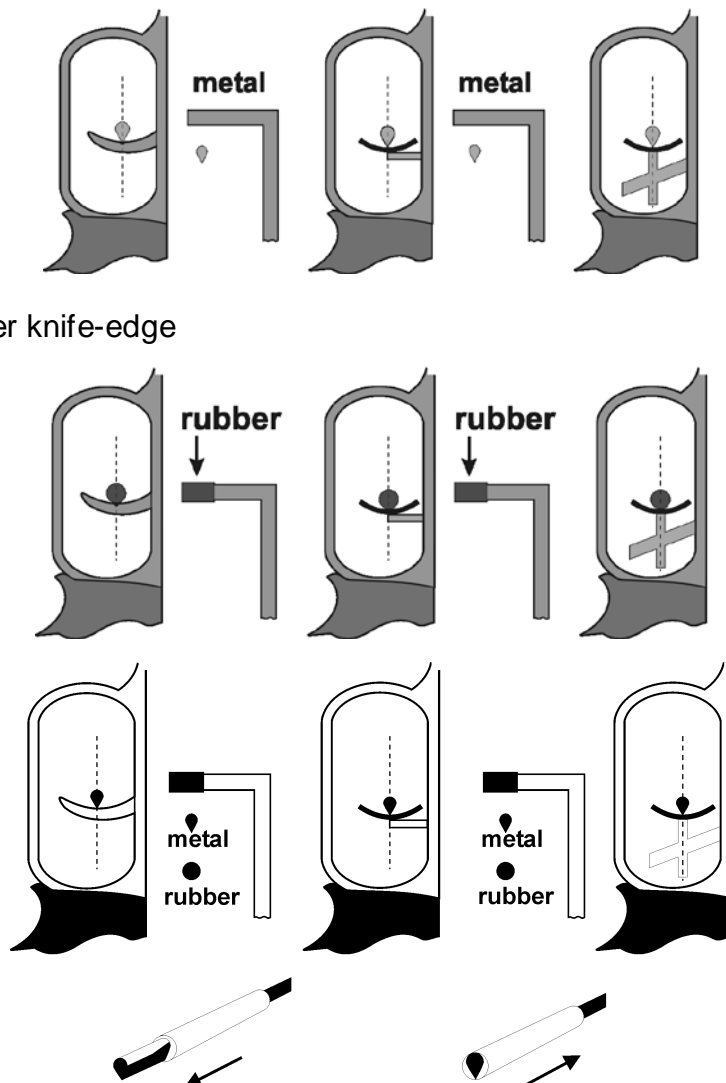
- 7.5.1.2.1 The shooter must stand free with both feet on the firing point surface or on the **shooting mat** without any other support.
- 7.5.1.2.10 The right hand may not touch the left hand, left arm **or the left sleeve of the shooting jacket.**
- 7.5.1.3.14 The right hand may not touch the left hand, left arm **or the left sleeve of the shooting jacket or sling.**

7.10 Index

Clothing under the jacket and trousers	7.4.7.10.1
Manipulation of material before or during the follow-up controls	7.4.6.4.2.6
Reinforcements	7.4.7.8.2.3
Reinforcements – Table	7.4.6.4.1.1
Rifle Events – See the Rifle Event Table 7.8	7.8
Slings	7.4.1.4.5
Thickness – Table	7.4.6.4.1.1
Underwear	7.4.7.10.2
Undergarment	7.4.7.10.1

Pistol Rules

8.4.1.6 Measuring the Weight of the Trigger Pull



8.4.1.6.1 Note:
A weight with a metal or rubber knife-edge or a round configuration with rubber must be used. A roller on the **trigger** weight is not **permitted**. A dead weight must be used with no springs or other devices.

8.4.2 Specific Standards for 25 m Pistols

The Shooter must use the same pistol in all stages and series of an event unless it ceases to function.

8.6.4.4.3.1 During each series the target is shown five (5) times or, when electronic scoring targets are used, the green lights come on each time for three (3) seconds (+ 0.2 seconds – 0.0 second). The time between each appearance (the edge-on position) or, when Electronic Scoring Targets are used, the red lights are on must be seven (7) seconds (± 0.1 second). One (1) shot only will be fired during each “appearance” of the target.

8.6.6.1.1.3 If a shooter **fires more sighting shots** than are provided for in the program, or are approved by the Range Officer or Jury, he must be penalized by the deduction of two (2) points from the first series of his competition score for each excessive sighting shot fired. **This penalty is in addition to the penalty of two (2) points that may be imposed when a shooter loads more than five (5) cartridges.**

8.6.6.4 Cross-fires on sighting targets

8.6.8.1 If it is found that his **claim is justified**, he may begin **the series** again.

8.7 MALFUNCTIONS

Only one (1) malfunction (either allowable or non allowable) is permitted except when stipulated in a specific event.

8.7.4.3.1.4 the cartridge case has not been extracted or ejected; **this applies even if a case catcher is used;**

8.7.4.5.2.2.2 shot(s) to complete the series must be fired in the immediately following series (in the Precision Stage a time of one (1) minute will be allowed for each shot to be fired) or **starting on the first exposure** (Rapid Fire Stage).

8.7.5.2.4.1 If there is a failure of a single target or a group of five targets (25 m Rapid Fire Pistol Event) the shooter **will** be moved to another firing position in the same, or if necessary, a following relay. After the problem is resolved, a separate sighting series and a one (1) minute pause will be given before the firing of the next series in accordance with the rule above.

8.11 INDEX

Barrels – See the Pistol Specification Table	8.4.1.2
Deduction of points – Disturbances – claim not justified	8.6.7.2
Pistol Events – See the Pistol Event Table	8.8
Ready Position 25 m events – drawing	8.6.1.3

Shotgun Rules

9.4.2.7 Ported Barrels and Ported Interchangeable Chokes

- Ported barrels are permitted, provided they do not extend back further than **20 cm** as measured from the end of the muzzle.
- Ported interchangeable chokes are permitted, provided their porting plus any barrel porting does not exceed **20 cm** as measured from the muzzle end of the interchangeable fitted choke.

Renumber 9.5.4.1.1 to 9.5.4.1

Renumber 9.5.4.1.2 to 9.5.4.1.1

9.5.6.1 The Referee must be assisted by two (2) or three (3) Assistant Referees:

- these are usually appointed in rotation from among the shooters who have fired in the previous squad
- all shooters must serve in this function when designated.
- the Organizing Committee may provide substitute qualified Assistant Referees
- the Referee may accept experienced substitutes
- **a coach must not be a substitute if there is a shooter of the same nation in the squad**

9.6.2.1 Pre-Event Training

- must be provided for each event the day before the commencement of the official competition on the same ranges and same make and colour of targets as are to be used in the official competition
- all such training must be scheduled fairly between those **shooters** present in order that no advantage is given

S.9.6.14.14.3 Additional “NO BIRD” Rules applying to doubles

Both targets must be declared “NO BIRD” and a repeat double thrown, to determine the result of both shots when:

- either target is irregular (see note)
- a single target is thrown in “Doubles”
- the first shot breaks both targets (a shooter is permitted only two (2) attempts on any one station, if the same situation occurs for the third time the first target must be declared a “HIT” and the second “LOST”)
- **fragments from the first target break the second target**
- the targets collide
- the shooter suffers an allowable malfunction of gun or cartridge and is unable to fire the first shot
- both shots are fired simultaneously

9.11 CLASSIFICATION AND SCORING PROCEDURES

The jury member responsible for the shotgun classification will either be appointed by the ISSF or by the Technical Delegate in conjunction with the Chairman of the Shotgun Jury from amongst the appointed Jury Members.

9.11.2 SCORING PROCEDURE

Scoring is done officially on each range for each round of 25 targets in Trap and Skeet, 25 doubles for Men or 20 doubles for Women in the Double Trap events:

- in all ISSF supervised competitions the individual scores must be kept on each range by two (2) separate persons, these are usually Assistant Referees.
- one person must maintain a permanent official scorecard
- the second person must maintain a **manual scoreboard**, except that where an **electronic scoreboard** is used, it must be maintained by the Referee

9.11.3 SCOREBOARDS

9.11.3.1 Ranges with **Electronic Scoreboards**.

The Referee must control the operation of the electronic **Scoreboard**.

9.11.3.3 **Electronic Scoreboard Errors**

If at any stage the electronic **scoreboard** should display an incorrect score, the Referee must stop the shooting and with minimum delay take whatever action is required to correct it.

9.11.3.3.1 If for any reason, it is not possible to correct the display, the following action will be taken:

- the official scoreboard must be examined and verified up to the point where the **electronic scoreboard** failed
- then, if possible to substitute quickly a **manual scoreboard**, enter the scores upon it up to the point of failure and continue the round
- if it is not possible to substitute **a manual scoreboard**, an additional scorecard must be introduced, the verified scores entered upon it and the round must then continue with the second scorecard under the control of a qualified person appointed by the Chief of Referees
- in the event that there is a difference in the recorded scores between the two (2) scorecards, that which is under the control of the official appointed by the Chief of Referees, must prevail.

9.11.3.4 Ranges with Manual Scoreboards

Three (3) persons must be appointed as Assistant Referees, as follows:

- the first person must be positioned at the rear of the firing line to maintain a permanent official scorecard
- the second person must act as an Assistant Referee and also maintain the manual scoreboard
- the third person must act as an Assistant Referee on the side opposite the manual scoreboard and also to check that the scores shown on it are registered correctly.
- each scorer must mark the card or board independently but based only on the decision given by the Referee
- at the conclusion of each round the results must be compared and the correct scores entered upon the official scorecard before it is delivered to the Classification Office
- the scores shown on the manual scoreboard must prevail if there are unresolved differences.

9.12.3.4 Ties for 7th Place and Below

Individual tied scores ranking 7th place and below, not decided by a shoot-off must be ranked according to the "Count Back" rule.

Renumber 9.13.2.1.1 to 9.13.2.1

- 9.13.4.4.2 The shooter will then be permitted to shoot the missed round at a time and on the range decided by the Chief of Referees with a deduction of three (3) targets from the make up round. The shooter should if possible shoot a make up round on the same range as the one he had to leave.

9.16 INDEX

Absent Shooter – DEDUCTION of three (3) Targets	9.13.4.3
Ammunition – Cartridge specification	9.4.3.1
Assistant Referee – absent – DEDUCTION of one (1) target	9.5.6.3
Assistant Referees – duties	9.5.6.2
Carrying guns – Safety	9.2.2
Chief of Referees – duties	9.5.4.2
Chief Range Officer – duties	9.5.3.3
DoubleTrap – Conduct of a Round of Double Trap	D.9.6.9.1
Double Trap – “No Bird” - Double	D.9.6.12
Double Trap – Refused Doubles	D.9.6.11
Double Trap – Trap Setting Table	D.9.6.10.1
Electronic Scoreboards	9.11.3.1
Electronic Scoreboards Errors	9.11.3.3
Equipment Control – Program of Inspection	9.4.1
Finals – Disabled Shotgun or misfires	9.14.9.1
Finals – Ranking Procedure after an Uncompleted Final	9.14.11.3
Guns – types permitted	9.4.2.1
Lost Target(s)	9.10.5
Manual Scoreboards	9.11.3.4
Scoreboards – Ensure the Scores on the Scoreboard	9.11.3.2

Skeet Ranges – drawing	6.3.22.8
Squadding –general	9.7.4
Visible Scoreboards	9.11.3

9.15.3 Trap Setting Tables (I-IX) (add missing table V and VI)

Table V					
Group	Number of Traps	Direction of trajectory from the Traps	Elevation trajectory at 10 m level ground	Length of trajectory for all traps	NOTE
1	1	45 degrees to right	1.60 m	76 m +/-1 m	
	2	0 degrees	3.00 m		
	3	45 degrees to left	2.00 m		
2	4	40 degrees to right	2.80 m		
	5	10 degrees to left	1.50 m		
	6	45 degrees to left	2.00 m		
3	7	35 degrees to right	3.00 m		
	8	5 degrees to left	1.80 m		
	9	40 degrees to left	1.50 m		
4	10	25 degrees to right	1.80 m		
	11	0 degrees	1.60 m		
	12	30 degrees to left	3.40 m		
5	13	30 degrees to right	2.00 m		
	14	10 degrees to right	2.40 m		
	15	15 degrees to left	1.80 m		
Table VI					
Group	Number of Traps	Direction of trajectory from the Traps	Elevation trajectory at 10 m level ground	Length of trajectory for all traps	NOTE
1	1	40 degrees to right	2.00 m	76 m +/-1 m	
	2	0 degrees	3.30 m		
	3	35 degrees to left	1.50 m		
2	4	35 degrees to right	2.50 m		
	5	10 degrees to right	1.50 m		
	6	35 degrees to left	2.00 m		
3	7	35 degrees to right	2.00 m		
	8	5 degrees to left	1.50 m		
	9	40 degrees to left	3.30 m		
4	10	45 degrees to right	1.50 m		
	11	10 degrees to left	3.00 m		
	12	25 degrees to left	2.60 m		
5	13	25 degrees to right	2.40 m		
	14	5 degrees to right	1.50 m		
	15	45 degrees to left	2.00 m		

Running Target Rules

10.4.1.3.2 10 m Rifles

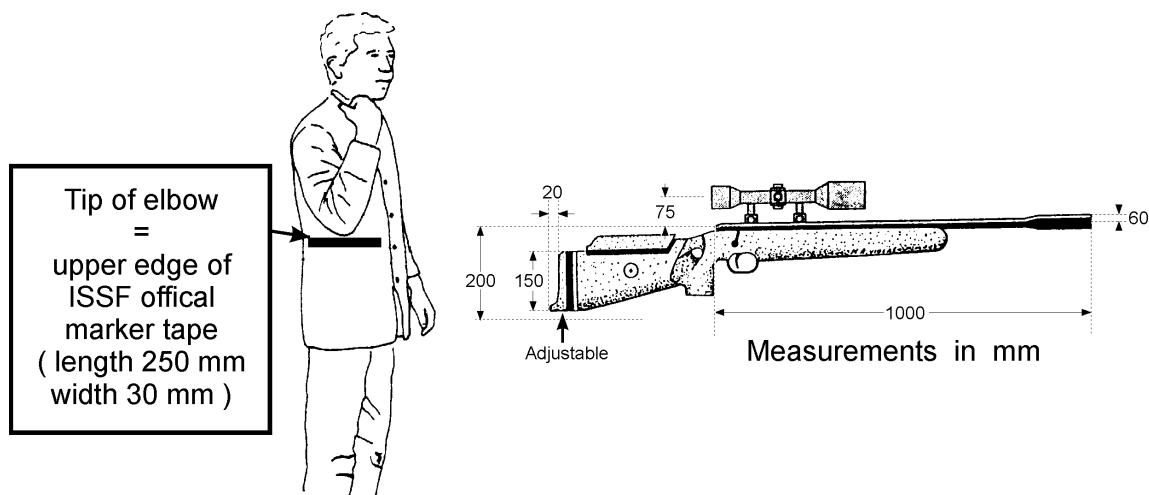
Any type of sights are permitted except that optical sights are limited to a non-variable of maximum four power (4 x) magnification (tolerance = +0.4 x). Examination of magnification power will be done by mechanical or optical devices authorized by ISSF.

10.10 RUNNING TARGET SPECIFICATION TABLE

Sights
Any sights, telescope with non variable maximum four power (tolerance + 0.4 x) magnification.

Replace old drawing with drawing below

10.11



10.12.14 The scoring will be done in decimals. The shooter with the higher score of the pair (1 and 4, 2 and 3) will receive the point. If there is a tie between a pair, no shooter gets a point. The shooter who receives six points is the winner of this match.

10.13 INDEX

General Standards for 50 m and 10 m Rifles - Table	10.10
Exchange of the rifle sight	10.4.1.4

Errata_2009_20100103.doc/29.01.2010 09:28:00